

TELEVAC



MC 300 Series Vacuum Measurement Gauges

The MC 300 Series Instrument utilizes time-proven and *patented* TELEVAC sensor technology. State-of-the-art electronics provide a reliable, rugged vacuum measurement and control instrument with two channels of rough vacuum and one high vacuum. Each instrument measures a specific vacuum range offering exact measurement and control for each application. The MC 300 is the most cost-effective vacuum measurement system available today.

Features

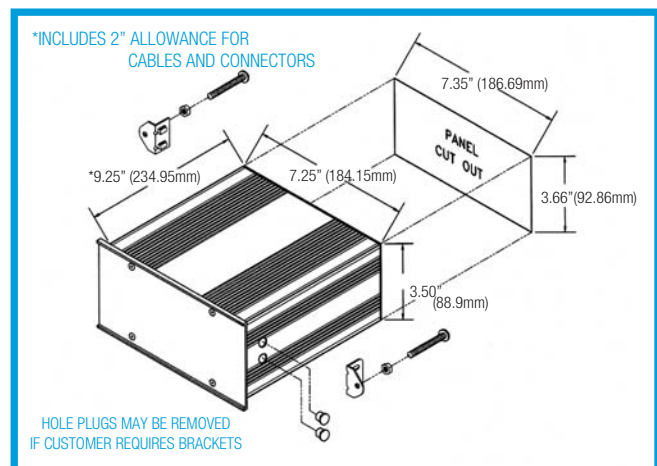
- Large, bright LED display
- Built-in self-diagnostics
- Selectable units: Torr, microns, mBar or Pascal
- Gas compensation: Argon N₂
- Four process relays with individually assignable set points
- Recorder outputs for each sensor
- Operator lockout switch

Specifications

Calibration Medium	Dry Nitrogen
Operating Temperature (instrument)	0° to 50° C
Operating Voltage/ Frequency	95 to 135 or 220 VAC, 50/60 Hz
Relay Contact Rating	Dry Circuit to 5A 110 VAC 3A 240 VAC
Recorder Outputs	0 to 10 VDC
Weight	5 lbs.

Range	Model	Sensors
20,000 microns to 10 ⁻⁷ Torr	MC2A 7B	2A Thermocouple 7B2 Cold Cathode
Atmosphere to 10 ⁻⁷ Torr	MC4A 7B	4A Convection 7B2 Cold Cathode
20,000 microns to 10 ⁻⁸ Torr*	MC2A 7E/F	2A Thermocouple 7E/F Cold Cathode
Atmosphere to 10 ⁻⁸ Torr*	MC4A 7E/F	4A Convection 7E/F Cold Cathode

*10⁻¹⁰ Torr when used with 7F



Ordering Information

MODEL	PART & NUMBER	TUBES	CABLES
■ MC2A 7B	2-4502-301	2A/ 7B	2A/ 7B
■ MC4A 7B	2-4502-302	4A/ 7B	4A/ 7B
■ MC2A 7E/F	2-4502-303	2A/ 7E or 7F	2A/ 7E or 7F
■ MC4A 7E/F	2-4502-304	4A/ 7E or 7F	4A/ 7E or 7F

SPECIFY 110-VOLT OR 220-VOLT OPERATION- UNITS SHIPPED IN 110 VOLT




* Measurement Range- 1 to 20,000 microns
 * Construction- Nickel-Plated Brass, Stainless Steel

<u>Model</u>	<u>Part Number</u>
2A 1/8" NPT Nickel Brass	2-2100-10
2A 1/8" NPT Stainless Steel	2-2126-001
2A NW 16 KF Stainless Steel	2-2126-030

Other fittings available- call factory

2A




* Measurement Range- 10^{-3} Torr to Atmosphere
 * Construction- Nickel-Plated Brass, Stainless Steel

<u>Model</u>	<u>Part Number</u>
4A 1/8" NPT Nickel Brass	2-2119-001
4A 1/8" NPT Stainless Steel	2-2120-001
4A NW 16 KF Stainless Steel	2-2120-030

Other fittings available- call factory


4A Patented



* Measurement Range 7E: 10^{-2} to 10^{-8} Torr
 7F: 10^{-2} to 10^{-10} Torr
 * All Stainless Steel Construction

<u>Model</u>	<u>Part Number</u>
7E NW 25 Flange	2-2141-031
Cleanable	
7F 2 3/4" ConFlat	2-2145-052 UHV

7E/ 7F Patented



7B2 Threaded

* Measurement Range- 10^{-3} to 10^{-7} Torr
 * Construction- Brass, Stainless Steel
 * Cleanable, Replaceable Anode

<u>Model</u>	<u>Part Number</u>
7B2 3/4" NPT Brass	2-2100-263
7B2 3/4" Through Brass*	2-2100-264
7B2 1" Through Brass*	2-2100-265
7B2 NW 25 Stainless Steel	2-2100-272

ACCESSORIES

• Mounting Ear Kit	6-2700-60
• Zero Micron 2A Simulator	2-2100-237
• Zero Micron 4A Simulator	2-2119-000
• 10^{-3} and 10^{-5} Torr 7B2 Simulator	2-2100-93
• 2×10^{-4} and 1.1×10^{-5} Torr 7E/ 7F Simulator	2-2145-000
• Filters for 1/8" NPT 2A/ 4A Sensors	2-2100-50



	<u>2A Cable</u>	<u>4A Cable</u>	<u>7B2 Cable</u>	<u>7 E/ F Cable</u>
3 Foot	2-9800-076	—	—	—
10 Foot	2-9800-077	2-9820-010	2-9800-09	2-9841-010
20 Foot	2-9800-078	2-9820-020	2-9800-41	2-9841-020
35 Foot	2-9800-079	2-9820-035	2-9800-42	2-9841-035
50 Foot	2-9800-080	2-9820-050	2-9800-43	2-9841-050