

TELEVAC



MC 300 2A/4A Vacuum Measurement Gauges

The MC 300 Series Instrument utilizes time-proven and patented TELEVAC sensor technology. State-of-the-art electronics provides a reliable, rugged vacuum measurement and control instrument with two channels of rough vacuum measurement. The MC 300 2A employs the time-proven TELEVAC 2A Thermocouple Sensor with a range of 20,000 microns to 1 micron. The MC 300 4A utilizes the patented 4A Convection Sensor.

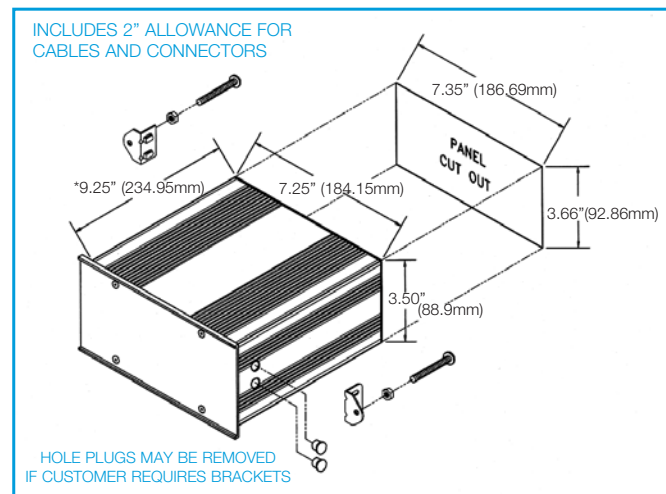
Features

- Large, bright LED display
- Built-in self-diagnostics
- Selectable units: Torr, microns, mBar or Pascal
- Gas compensation: Argon, N₂
- Four process relays with individually assignable set points
- Recorder outputs for each sensor
- Operator lockout switch

Specifications

Calibration Medium	Dry Nitrogen
Operating Temperature (instrument)	0° to 50° C
Operating Voltage/ Frequency	95 to 135 or 220 VAC, 50/60 Hz
Relay Contact Rating	Dry Circuit to 5A 110 VAC, 3A 240 VAC
Recorder Outputs	0 to 10 VDC
Weight	5 lbs.

<u>Range</u>	<u>Model</u>	<u>Sensors</u>
20,000 microns to 1 micron	MC 300 2A	2A Thermocouple
Atmosphere to 1 micron	MC 300 4A	4A Convection



Ordering Information

<u>MODEL</u>	<u>PART and NUMBER</u>	<u>TUBES</u>	<u>CABLES</u>
■ MC 300 2A	2-4503-401	2A	2A
■ MC 300 4A	2-4503-402	4A	4A

SPECIFY 110-VOLT OR 220-VOLT OPERATION- UNITS SHIPPED IN 110 VOLT

- * Measurement Range- 0 to 20,000 microns
- * Construction- Nickel-Plated Brass, Stainless Steel



2A

<u>Model</u>	<u>Part Number</u>
2A 1/8" NPT Nickel Brass	2-2100-10
2A 1/8" NPT Stainless Steel	2-2126-001
2A NW 16 KF Stainless Steel	2-2126-030

Other fittings available- call factory

- * Measurement Range- 10⁻³Torr to Atmosphere
- * Construction- Nickel-Plated Brass, Stainless Steel



**4A
Patented**

<u>Model</u>	<u>Part Number</u>
4A 1/8" NPT Nickel Brass	2-2119-001
4A 1/8" NPT Stainless Steel	2-2120-001
4A NW 16 KF Stainless Steel	2-2120-030

Other fittings available- call factory



2A/ 4A

	<u>2A Cable</u>	<u>4A Cable</u>
3 Foot	2-9800-076	—
10 Foot	2-9800-077	2-9820-010
20 Foot	2-9800-078	2-9820-020
35 Foot	2-9800-079	2-9820-035
50 Foot	2-9800-080	2-9820-050

ACCESSORIES

- | | |
|--|------------|
| • Mounting Ear Kit | 6-2700-60 |
| • Zero Micron 2A Simulator | 2-2100-237 |
| • 3 Point 2A Simulator-0, 100 to 1,000 microns | 2-2100-241 |
| • Zero Micron 4A Simulator | 2-2119-000 |
| • 3 Point 4A Simulator-0,760, 1 Torr | 2-2119-003 |
| • Filters for 1/8" NPT 2A/ 4A Sensors | 2-2100-50 |