

B2A-1-BAT Thermocouple Vacuum Instrument Battery-Operated, Rechargeable



- PORTABLE
- RUGGED
- ECONOMICAL

Standard 2-3001-100
Mini 2A Cable 2-3001-101

Televac's B2A-1-BAT is a portable, single station thermocouple instrument. The solid-state circuitry is contained in a compact, lightweight enclosure, ideal for field applications. Controls are front panel mounted. To operate, simply lift the flap of the carrying case – there's no need to remove the instrument. The Model B2A-1-BAT requires no warm-up and provides up to 40 hours of operation between charges. A padded carrying case with strap and a power cord for recharging the NiCad batteries is included. The instrument uses the standard Televac 2A Thermocouple Sensor or the 2A Mini-Sensor.

FEATURES

Extremely rugged, lightweight enclosure.	Sensors are interchangeable without recalibration.
Battery-powered for portability up to 40 hours operation between charges.	Ambient temperature changes are compensated at the sensor.
Only one current adjustment necessary for operation.	Extremely durable sensors withstand 150 psi.

General Specifications

B2A-1-BAT Portable Vacuum Instrument

Range

1 – 20,000 Microns

Accuracy

+/- 1 micron	0 to 10 micron
+/- 10% of reading	10 microns to 100 microns
+/- 20% of reading	100 to 1000 microns

Process Control Relays

2 SPDT contacts
5 amps @ 220 volts
non-inductive load

Power

90 to 130 VAC
220 VAC factory settable

Calibration Medium

Dry Air or Nitrogen

Overpressure Tolerance for Sensor

150 psi

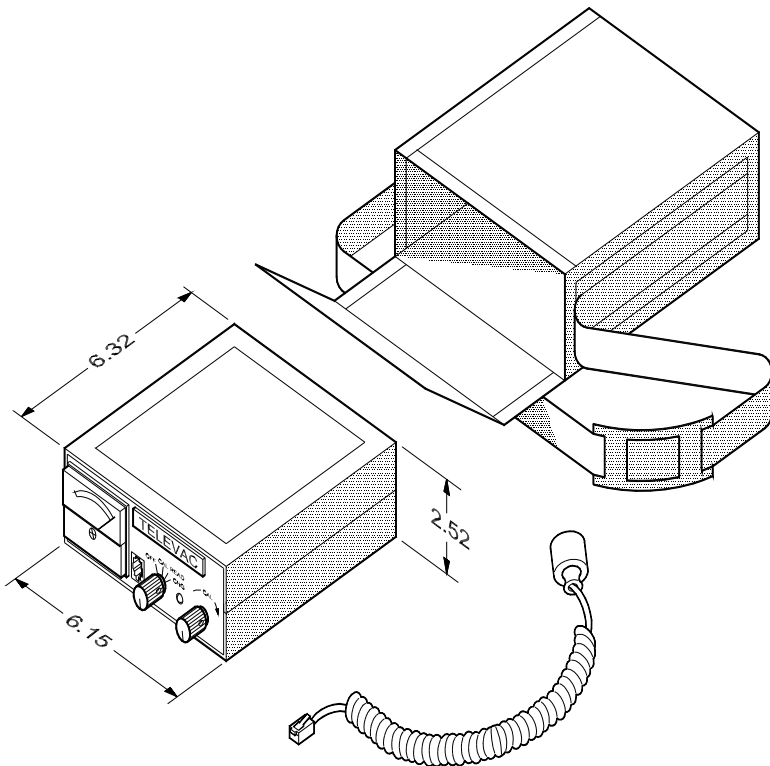
Sensor Materials

Stainless steel or nickel-plated brass

Operating Temperature

0° to +50°C

Sensor: Bake-out 200°C
(Stainless Steel with CF flange)



Measurement Range: 10^{-3} Torr to 20 Torr
Construction – Nickel-Plated Brass, Stainless Steel

Sensor

Part Number

2A 1/8" NPT Nickel Brass	2-2100-10
2A 1/8" NPT Stainless Steel	2-2126-011
2A NW 16 KF Stainless Steel	2-2126-030

Other fittings available – call factory

TELEVAC - 2400 Philmont Avenue - Huntingdon Valley, PA 19006
215.947.2500 - Fax: 215.947.7464 - E-Mail: sales@televac.com - Web: www.televac.com